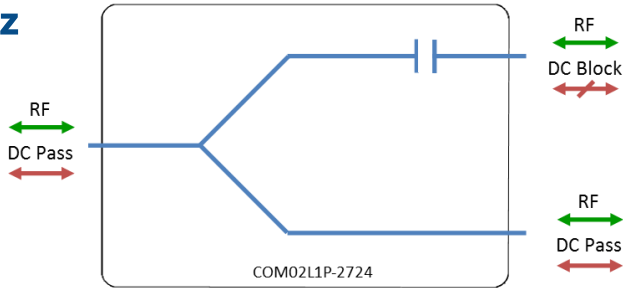




Model Number:
COM02L1P-2724

RF Components

2-Way L-Band Passive GPS Splitter/Combiner 1000-2000 MHz

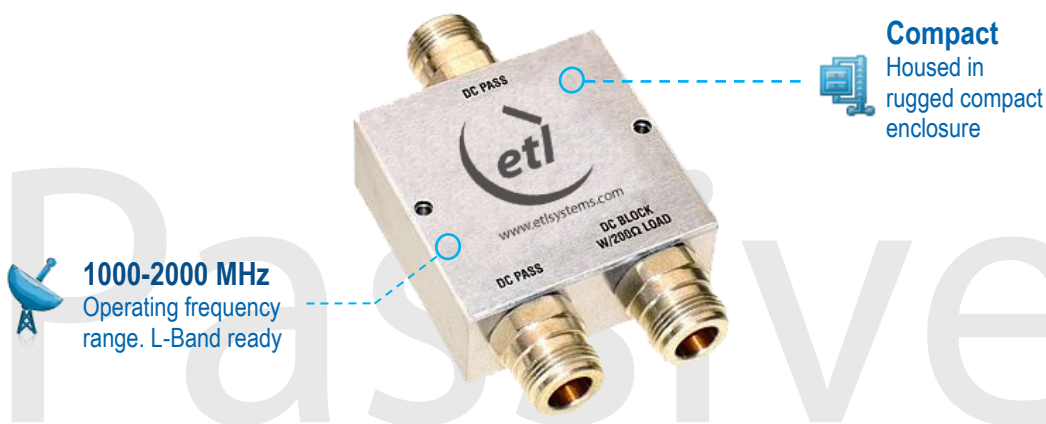


Description specific to each product

- Common to port 1 DC pass
- Common to port 2 DC block with 200 Ω internal load

Available with RF connector options:

- 50 Ω N-type
- 50 Ω SMA
- 50 Ω TNC



Passive

RF Parameters			
COM02L1P-2724-XXXX	N5N5	S5S5	T5T5
Frequency Range	1000 - 2000 MHz		
RF Connectors	50 Ω N-Type	50 Ω SMA	50 Ω TNC
Mean Insertion Loss (dB)	0.2 \pm 0.2		
Flatness \pm (dB)	0.3		
Input Return Loss (dB)	Typ.	22	22
	Min	20	19
Output Return Loss (dB)	Typ.	22	25
	Min	20	23
Isolation (dB)	Typ. 22		
Amplitude Balance (dB)	\leq 0.2		
Phase Balance (Φ)	\leq 3 $^\circ$		
The given Insertion Loss specified is the loss above the theoretical limit for a lossless divider			

Broadcast



Marine Oil & Gas



SNG & VSAT



Satellite Teleport

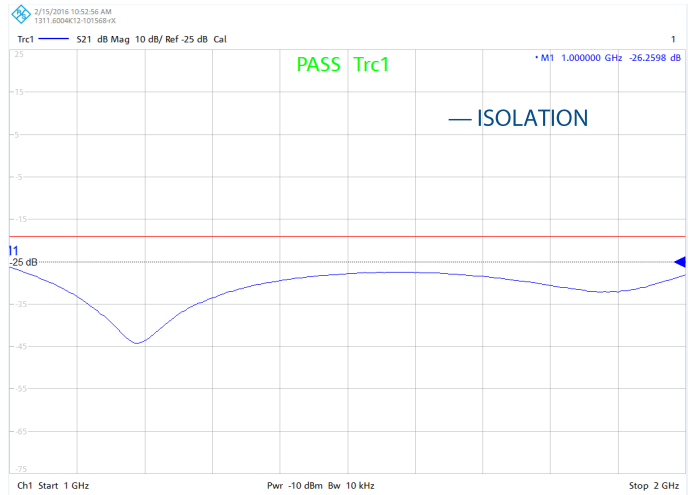
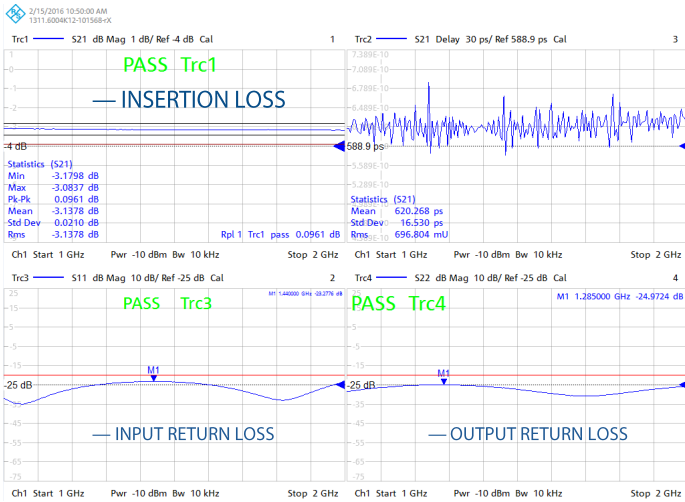




RF Components

Model Number:
COM02L1P-2724
2-Way L-Band Passive GPS Splitter/Combiner

Technical specifications and operating parameters



Environmental	
Operating Temperature	-65°C to +85°C
Storage Temperature	-65°C to +105°C
Location	Indoor use Only
Humidity	Max 85% non-condensing
Altitude	Max 10,000 feet

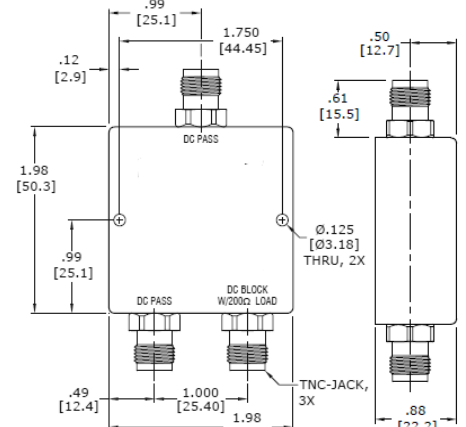
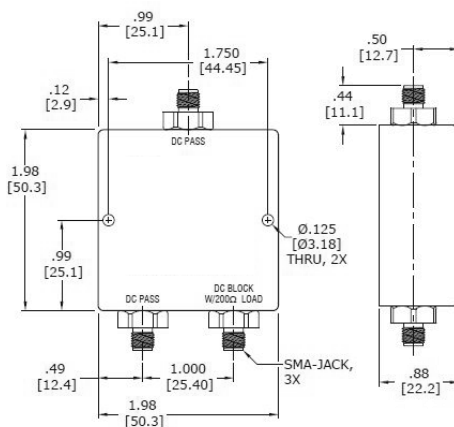
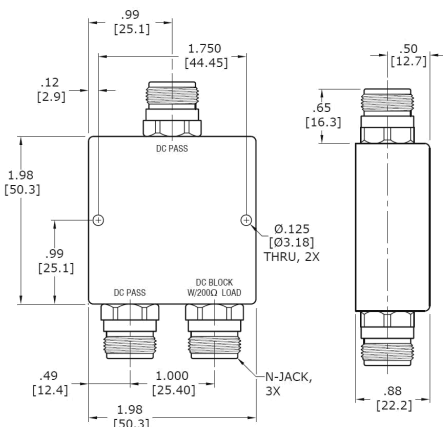
Max Operating Parameters	
Input RF Power into matched load with 20dB return loss	+43 dBm (20W) as splitter +27 dBm (0.5W) as combiner
DC Voltage	Max 10 V
DC Current	Max 50 mA
DC Consumption	N/A

! Operation beyond these limits may cause instantaneous and permanent damage.

50Ω N-Type Connectors

50Ω SMA Connectors

50Ω TNC Connectors



Note: The specification is subject to regular reviews and will be updated from time to time as part of our continuing product development and improved specification accuracy.

ETL SYSTEMS LIMITED
Coldwell Radio Station
Madley
Hereford
England HR2 9NE

TELEPHONE
+44 (0)1981 259020

EMAIL
info@etlsystems.com

FACSIMILE
+44 (0)1981 259021

WEB
www.etlsystems.com

